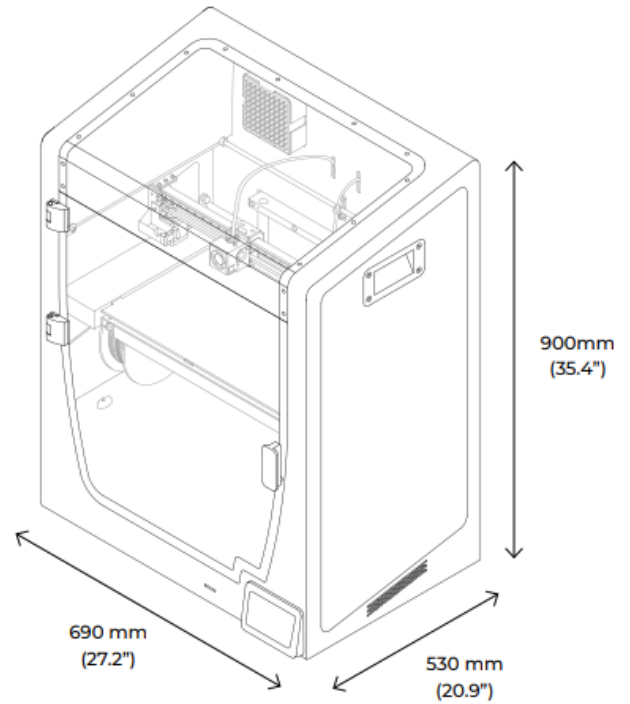
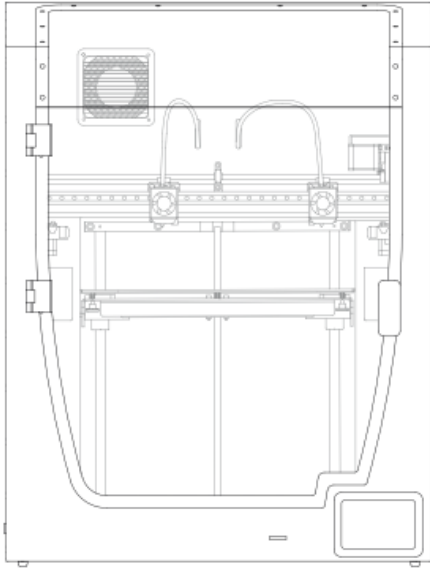


EPSILON W50 SPECIFICATION SHEET



PROPERTIES

3D PRINTING TECHNOLOGY:**FUSED FILAMENT FABRICATION (FFF)****FIRMWARE:****BCN3D EMBEDDED LINUX DISTRIBUTION
BCN3D EPSILON - MARLIN****BUILD CHAMBER:****PASSIVE HEATED CHAMBER
FULLY ENCLOSED
SAFETY PAUSE****AIR FILTERING:****CATEGORY H13 HEPA FILTER
ACTIVE CARBON FILTER****NUMBER OF EXTRUDERS :****2****WARRANTY :****2 YEARS FOR EU COUNTRIES
1 YEAR FOR NON-EU COUNTRIES**



PARAMETRIC DESIGNS & SOLUTIONS



EPSILON W50 SPECIFICATION SHEET

DEVICE PROPERTIES

PRINT VOLUME	420MM X 300MM X 400MM (16.5" X 11.8" X 15.8")
PRINTER DIMENSIONS	690MM X 530MM X 900MM (27.2" X 20.9" X 35.4")
NOZZLE DIAMETER	BRASS NOZZLE: 0,4MM (DEFAULT) 0,6MM 0,8MM 1,0MM HOTEND X: 0,6MM
EXTRUDER SYSTEM	EXTRUDER BONDTECH™ HIGH-TECH DUAL DRIVE GEARS HOTENDS OPTIMIZED AND MANUFACTURED BY E3D™
HEATED BED	SILICONE THERMAL PAD
CONNECTIVITY	OFFLINE PRINTING: SD CARD ONLINE PRINTING: WIFI OR ETHERNET (THROUGH BCN3D CLOUD)
ELECTRONICS	SINGLE BOARD COMPUTER: TORADIX ARM COMPUTE MODULE MOTION BOARD: BCN3D ELECTRONICS WITH INDEPENDENT STEPPER DRIVERS
SCREEN	5" FULL COLOR TOUCHSCREEN

PRINTING PROPERTIES

LAYER HEIGHT : 0,2MM | 0,3MM | 0,4MM

POSITIONING (X / Y / Z): 1,25MM / 1,25MM / 1MM

OPERATING TEMPERATURE : 15 °C - 30 °C

EXTRUDER MAXIMUM TEMPERATURE : 300 °C

HEATED BED MAXIMUM TEMPERATURE : 120 °C

BUILD CHAMBER MAXIMUM TEMPERATURE: 60 °C

SOFTWARE PROPERTIES

**FILE PREPARATION SOFTWARE : BCN3D CURA
BCN3D STRATOS**

OPERATING SYSTEMS : WINDOWS, MAC, LINUX

SUPPORTED FILES : STL, 3MF, OBJ, AMF

WIRELESS CONNECTIVITY : BCN3D CLOUD

MATERIAL PROPERTIES

FILAMENT DIAMETER : 2,85 ± 0,05 MM

**COMPATIBLE FILAMENTS : STANDARD : PLA, TOUGH PLA, PET-G, TPU 98A, PVA, BVOH, PLA PRO
TECHNICAL : ABS, PP, PA, ASA
COMPOSITE (ONLY WITH HOTEND X): PP GF30, PAHT CF15, PET CF15
METAL FILAMENTS : ULTRAFUSE 316L (STAINLESS STEEL)**

OPEN FILAMENT SYSTEM : YES

UNIQUE PROPERTIES

ARCHITECTURE : INDEPENDENT DUAL EXTRUDER (IDEX)

**PRINTING MODES : Single mode, Duplication mode,
Mirror mode, Multimaterial mode,
Soluble Supports mode**

ELECTRIC PROPERTIES

INPUT : AC 100-240V, AC 8,4-3,5A, 50-60HZ

MAXIMUM POWER CONSUMPTION : 840W